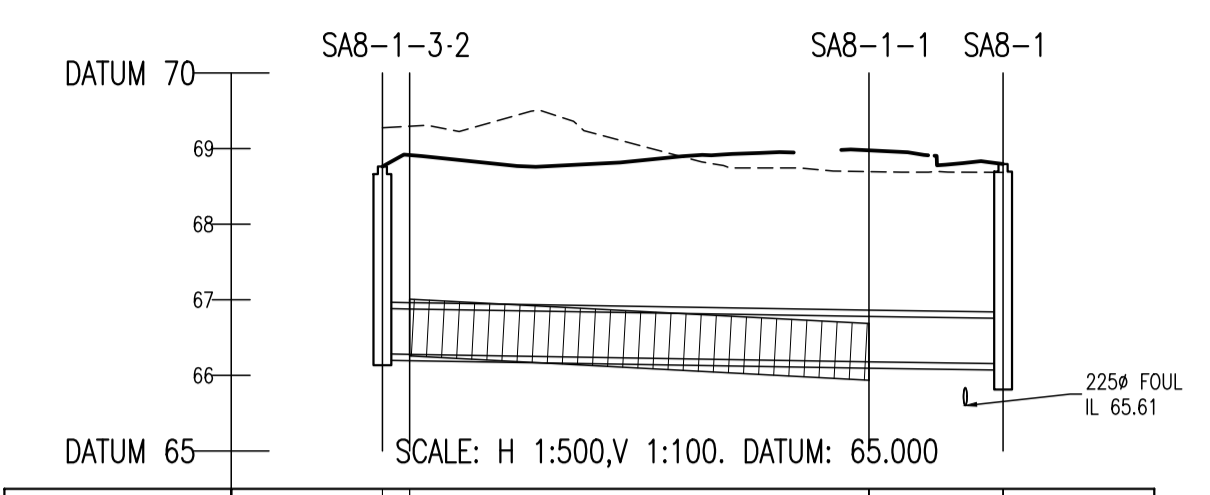
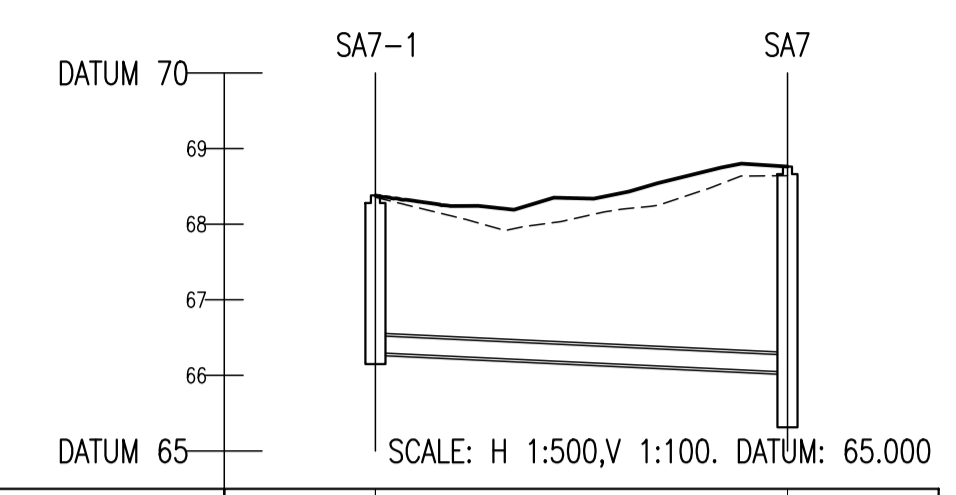


- NOTES:
- ALL DRAWINGS TO BE CHECKED BY CONTRACTOR ON SITE AND ENGINEER INFORMED OF DISCREPANCIES BEFORE WORK COMMENCES
 - ALL LEVELS ARE IN METRES AND ARE RELATED TO ORDNANCE DATUM
 - CONTRACTOR SHALL SATISFY HIMSELF AS TO THE ACCURACY OF PAVEMENT LEVELS ON SITE PRIOR TO COMMENCEMENT OF WORKS ON SITE
 - ALL WORKS TO BE CONSTRUCTED IN ACCORDANCE WITH THE NRA SPECIFICATION FOR ROAD WORKS UNLESS NOTED OTHERWISE
 - THIS DRAWING IS FOR PLANNING PURPOSES ONLY
 - MANHOLE COVER LEVELS ARE TO CONFORM WITH FINISHED ROAD AND PATH LEVELS
 - WHERE COVER TO PIPE IS LESS THAN 1200mm (ROAD/PATH/VERGE) OR 900mm (OPEN SPACE) SURROUND PIPE IN MINIMUM 150mm CONCRETE

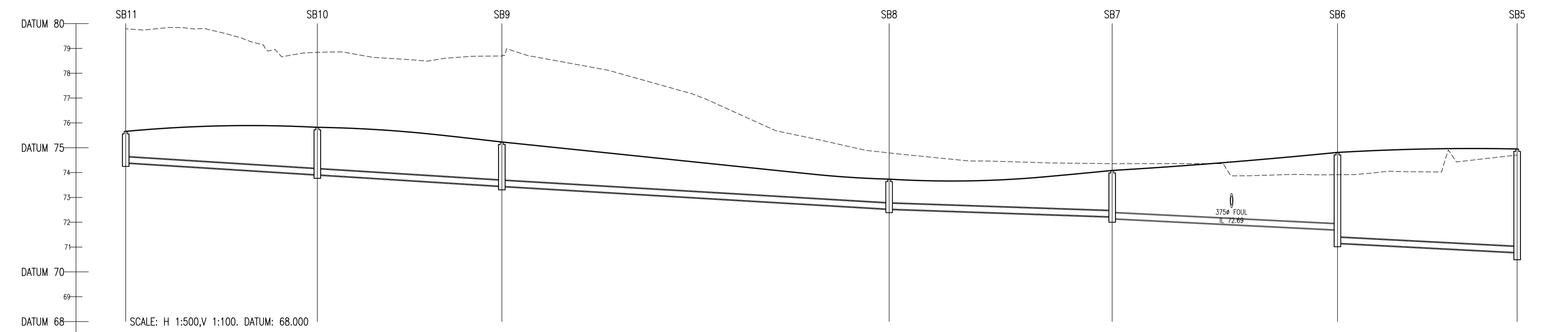
KEY
 - - - - - EXISTING GROUND PROFILE
 ——— PROPOSED GROUND PROFILE



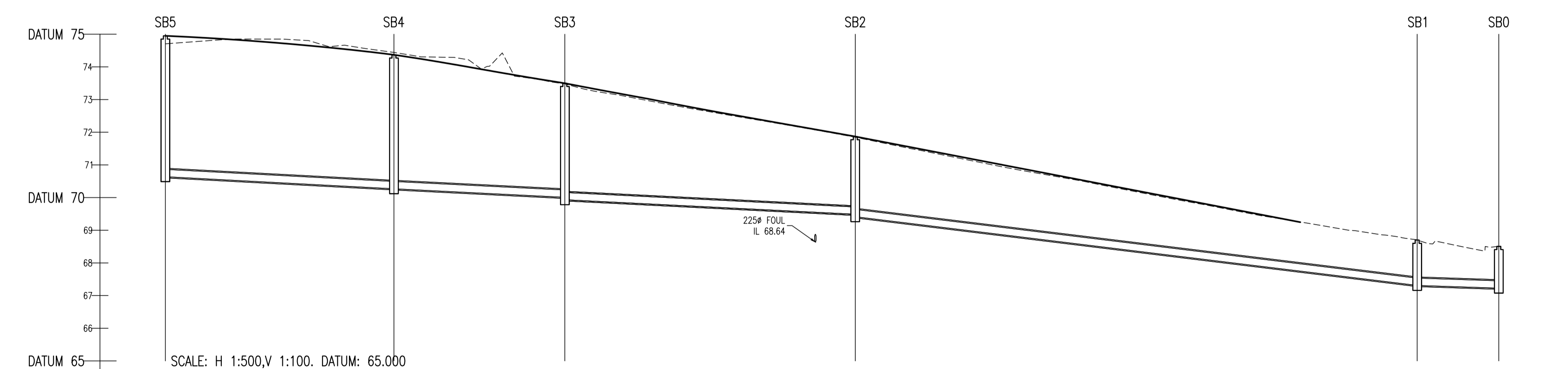
COVER LEVEL	68.782 68.788 68.798	66.901	68.795
INVERT LEVEL	20.001	66.179 66.179 20.002	66.154
DEPTH (m)	2.787 2.789	???	2.641
DISTANCE (m)	30.38	8.87	
PIPE SLOPE	1:245	1:307	1:355
PIPE SIZE	600mm	600mm	600mm



COVER LEVEL	68.300	68.762
INVERT LEVEL	21.000	66.044
DEPTH (m)	2.080	3.299
DISTANCE (m)	27.25	
PIPE SLOPE		1:106
PIPE SIZE		225mm



COVER LEVEL	75.659	75.823	75.231	73.735	74.695	74.810	74.950
INVERT LEVEL	74.400	75.918 75.918	73.454 73.454	72.535 72.535	72.226 72.151	71.698 71.182	70.786
DEPTH (m)	1.259	1.905	1.777	1.200	1.934	3.648	4.172
DISTANCE (m)	38.56	37.13	77.92	44.87	45.33	36.15	
PIPE SLOPE	1:80	1:80	1:85	1:145	1:100	1:96	
PIPE SIZE	225mm	225mm	225mm	225mm	225mm	225mm	



COVER LEVEL	74.950	74.370	73.499	71.869	68.698	68.507
INVERT LEVEL	70.638	70.268 70.268	69.532 69.532	69.413	67.310 67.310	67.227
DEPTH (m)	4.312	4.102	3.967	2.456	1.388	1.280
DISTANCE (m)	34.96	26.14	44.42	85.94	12.49	
PIPE SLOPE	1:94	1:100	1:100	1:41	1:150	
PIPE SIZE	225mm	225mm	225mm	225mm	225mm	

REV.	DATE	DESCRIPTION	BY	CHKD.
PLANNING				
DESIGNED	BK	PREPARED	ICD	
DATE	APR 2019	CHECKED	DJR	

DUBLIN OFFICE: Ormond House,
 Upper Ormond Quay, Dublin 7, Ireland.
 PHONE: +353 1 400 4000
 FAX: +353 1 400 4050
 WATERFORD OFFICE: Unit 2, The Chandlery,
 1-2 O'Connell Street, Waterford, Ireland.
 PHONE: +353 51 309 550
 FAX: +353 51 844 913
 DBFL Consulting Engineers email: info@dbfl.ie site: www.dbfl.ie

PROJECT
LANDS AT CAPDOO, CLANE, CO. KILDARE

DRG. TITLE
LONGITUDINAL SECTIONS THROUGH SURFACE WATER SHEET 5

CLIENT
ARDSTONE RESIDENTIAL FUND